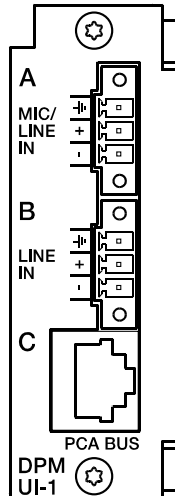


DPM UI-1

www.dynacord.com



The DPM UI-1 is a 2-channel universal input module for the DPM 8016 PROMATRIX CONTROLLER. The audio signals are connected via screw-in Euroblock connectors. Channel A is a universal MIC/LINE input with programmable input sensitivity and switchable phantom power supply. The second channel can be used either as a LINE input (B) or as a call station input (C). Up to four DPC call stations can be connected to the PCA BUS interface.

Linear, high-precision 24-bit converters are used for the A/D conversion. The internal signal preparation uses a 48-bit name length.

Other UI-1 properties:

- 109 dB dynamic range – for the best audio performance without disruptive incidental noise
- Symmetrical inputs – high CMRR for avoiding incidental noise from crosstalk over long cables
- Power supply for call stations – monitored with self-resetting fuse
- Automatic configuration – mounting changes/ deviations are detected and displayed in IRIS-Net
- Input transformer – transformers (Lundahl LL1531) can be retrofitted as an option

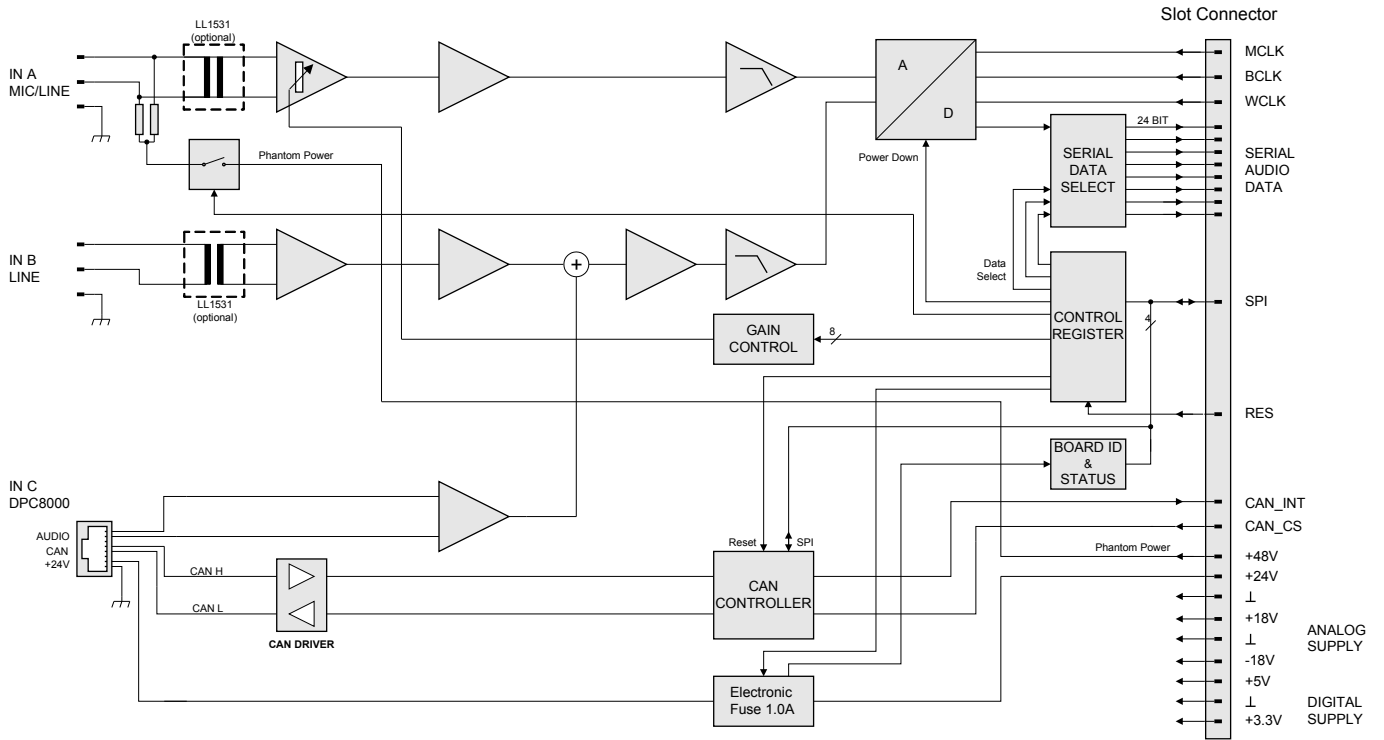
Parts included

| No. | Component |
|-----|---|
| 1 | DPM UI-1 |
| 2 | Plug, 3-pin (Phoenix MC 1.5/3-STF-3.81 – no. 18 27 716) |
| 2 | Combi-Torx screw M3x10 |
| 1 | Technical information |

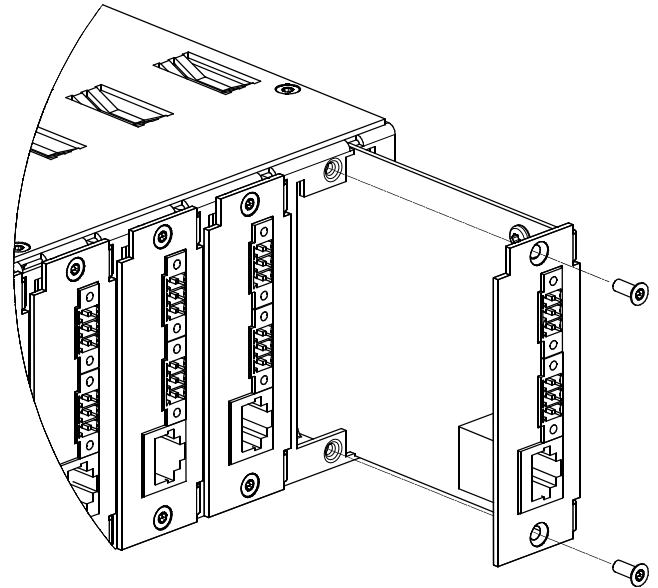
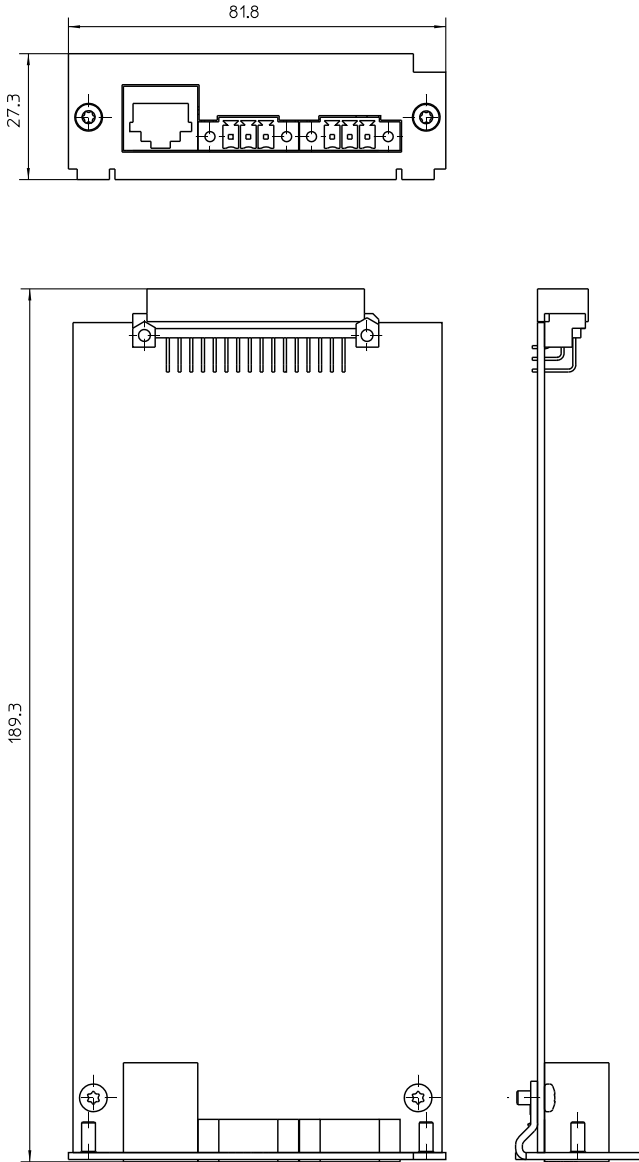
Technical specifications

| | |
|-------------------------|--|
| Supply voltage/current | +3.3 VDC, ± 0.3 V / 6 mA +5 VDC, ± 0.3 V / 18 mA +18 VDC, ± 0.5 V / 66 mA -18 VDC, ± 0.5 V / 12 mA +24 VDC/max. 1 A, depends on number of connected DPCs +48 VDC, ± 0.5 V / 11 mA |
| Audio inputs | 2 x 3-pin Euroblock connectors, electronically symmetrical |
| • Input level (nominal) | +6 dBu/1.55 V |

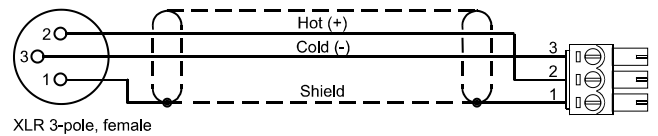
| | |
|---|--|
| • Input level (max. before clip) | Input A (MIC / LINE): +18 dBu/6.15 V Input B (LINE): +18 dBu/6.15 V Input C (PCA BUS): +12 dBu/3.1 V |
| • Input impedance | Input A (MIC / LINE): 2.5 k Ω Input B (LINE): 20 k Ω Input C (PCA BUS): 20 k Ω |
| • Common mode rejection | > 80 dB (f = 1 kHz) |
| • Phantom power | +48 V/10 mA, switchable for input A |
| • A/D conversion | 24 bit, sigma-delta, 128 times oversampling |
| PCA input | Integrated power – CAN – audio interface, RJ-45 |
| • Power | +24 V DC, electronic fuse |
| • CAN | 10, 20, or 62.5 kbit/s |
| • Audio | electronically symmetrical |
| • Max. length | 1000 m |
| Frequency response | 20–20,000 Hz (-0.5 dB) |
| Signal-to-noise ratio (A-weighted) | 109 dB typical |
| THD+N | < 0.003% |
| Crosstalk | < -100 dB |
| SMPTE (DIN 4:1) | < 0.005% (at $U_e = +6$ dBu) |
| Sample rate | 48 kHz |
| Data format | 24-bit linear A/D conversion, 48-bit processing |
| Operating temperature | -5 °C to +45 °C |
| Product dimensions (Width by Height by Depth) | 81.8 x 27.3 x 189.3 mm |
| Net weight | 100 g |
| Optional accessories | |
| • Input transformer | Type LL1531, Lundahl Transformers, Sweden |



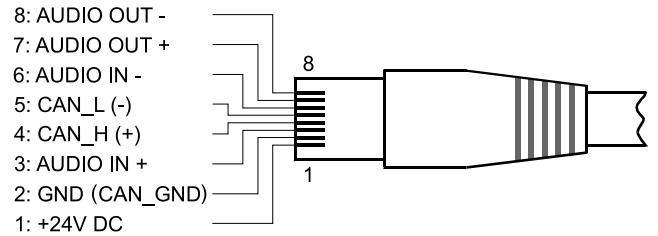
Block diagram



Mounting



XLR connecting cable – Euroblock



Dimensions

Installation/configuration notes

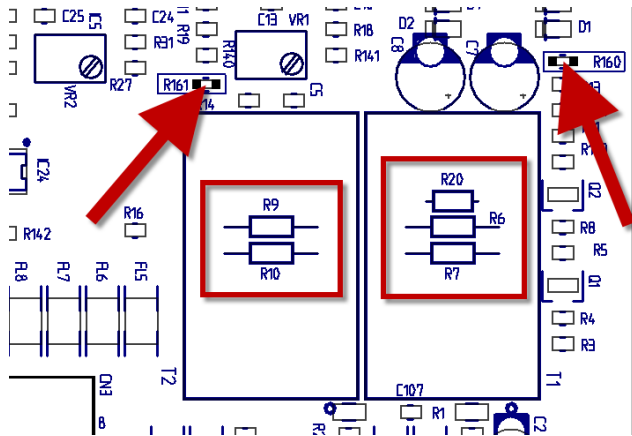
Mounting

1. Switch off the DPM 8016 and disconnect it from the power supply
2. Unscrew the blank panel on the back panel (2 screws at the back)
3. Insert the DPM UI-1 module into the required slot and fix it to the back panel with 2 screws (see the diagram)
4. Connect the DPM 8016 to the mains and switch on
5. The DPM UI-1 module is automatically detected in the device

RJ-45 socket assignment for input C (PCA)

Retrofitting input transformer in input A (or input B)

1. Remove R6, R7, and R20 resistors (input B: R9 and R10)
2. If necessary, unsolder the seven soldering points for the transformer on the circuit board
3. Bridge the two soldering points of R160 (input B: R161) (0 W). See arrow in the diagram
4. Solder the transformer (Lundahl LL1531) at position T1 (input B: T2)



Retrofitting the input transformer

Ordering information

DPM UI-1

Order number **F01U121881**

Represented by:

Germany:

EVI Audio GmbH
Sachsenring 60
94315 Straubing
Germany

www.dynacord.com