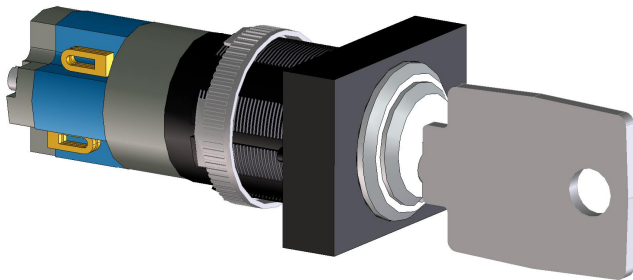


NRS 90231

www.dynacord.com



The NRS 90231 is an optional key switch for installation in the DPC 8000 series call stations. The feed lines of the key switch are monitored for short-circuits and interruptions. For more information, see the call station operating instructions.

Parts included

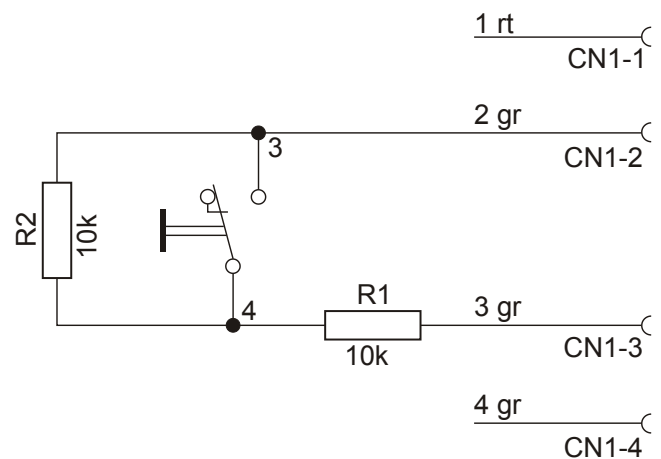
No.	Component
1	Key switch
1	Preconfigured 4-pin connecting cable
2	Resistance 10 kΩ
1	Technical information

Installation/configuration notes

Assembly in DPC 8015

1. Disconnect the call station from all connectors
2. Unscrew the call station baseplate
3. Unplug the connection cable from the CN1 plug connector
4. Prepare the installation location. Use a sharp object (knife, scribe, or similar) to carefully punch through and cut out the pre-cut circle on the back housing. Perform any follow-up work that may be required to the installation location (e.g. filing, trimming)
5. Bore through the pre-cut side opening for the holding pin of the key switch cover

6. Align the switch and screw tightly in place with the supplied knurled screw
7. The supplied 4-pin cable and the resistors must be connected as shown in the following diagram.



Connecting NRS 90231

8. Note the connection sequence of the ribbon cable. The two external cables 1 (red) and 4 (green) must be cut as close to the cut-off point as possible and isolated. The two internal cables 2 (green) and 3 (green) must be soldered to switch connections 3 and 4. The polarity is not important.

9. Depending on whether the right/middle/left installation location will be used, plug the ribbon cable into plug connector CN201/CN202/CN203 on the circuit board
10. Plug the connecting cable into CN1 again
11. Re-attach the call station baseplate
12. Attach the connections
13. Configure the key switch in IRIS-Net

Ordering information

NRS 90231

Order number **F01U121727**

Represented by:

Germany:

EVI Audio GmbH
Sachsenring 60
94315 Straubing
Germany

www.dynacord.com