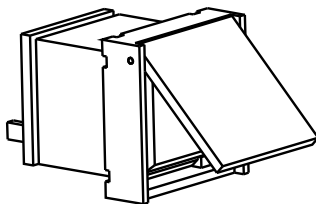


# EB DPC

www.dynacord.com



- Transparent cover – reliable method of preventing accidental actuation
- Installed LED – optical visualization with maximum efficiency and operational reliability
- Internal monitoring – the feed line is monitored for short-circuits and interruptions

The EB DPC is an optional button for installation in the DPC 8000 series call stations. For more information, see the DPC operating instructions and the IRIS-Net documentation.

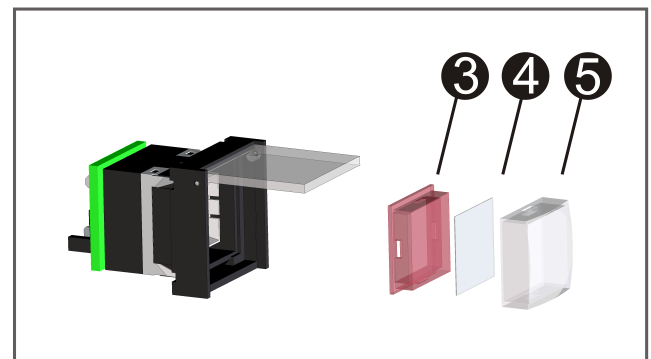
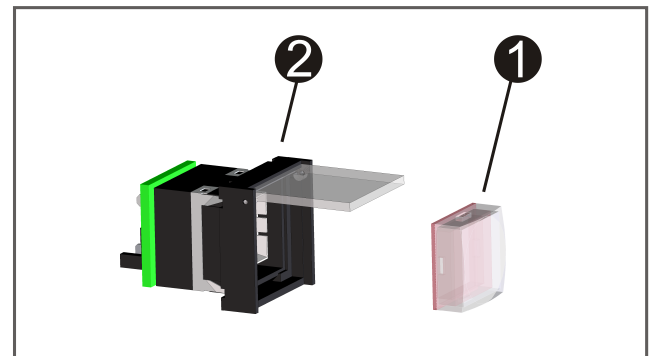
## Parts included

No.	Component
1	Button element with cover
1	Preconfigured 4-pin connecting cable
1	Label sheet
1	Technical information

## Installation/configuration notes

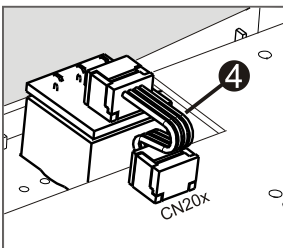
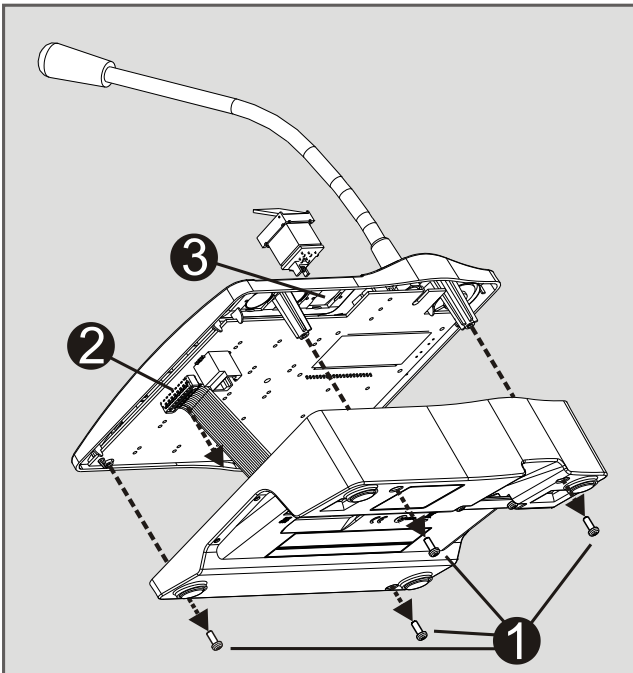
### Labeling

1. Remove button (1) from holder (2)
2. Remove red undersection (3) from button cover (5) with a sharp object (such as a knife)
3. Insert label sheet (4) into button cover (5)
4. Re-assemble the button element, including the label sheet, and mount in the holder



**Assembly (based on DPC 8015)**

1. Disconnect the call station from all connectors
2. Unscrew call station baseplate (1)
3. Unplug the connection cable from CN1 plug connector (2)
4. Prepare installation location (3). Use a sharp object (knife, scriber, or similar) to carefully punch through and cut out the pre-cut rectangle on the back housing. Perform any follow-up work that may be required to the installation location (e.g. filing)
5. Mount the button into the installation location and press down evenly
6. Depending on whether the right/middle/left installation location will be used, plug ribbon cable (4) into plug connector CN201/CN202/CN203 on the circuit board
7. Plug connecting cable (2) back into CN1
8. Re-attach the call station baseplate
9. Attach the connections
10. Configure the button in IRIS-Net

**Ordering information****EB DPC**Order number **F01U101089**

**Represented by:**

**Germany:**

EVI Audio GmbH  
Sachsenring 60  
94315 Straubing  
Germany

[www.dynacord.com](http://www.dynacord.com)