

# DB1-UMx0E Premium-Sound Cabinet

www.dynacord.com



- High-fidelity music and speech reproduction
- Self-restoring overload protection
- Selectable 8 ohm, 70 V and 100 V inputs
- Compact yet robust aluminum extruded enclosure
- EN 54-24 Certified

The Premium-sound range of cabinets is intended for clear reproduction of speech, foreground and background music to be used in general indoor and outdoor applications. The range comprises two models, offering a choice of 20 W or 50 W power handling capacity. The enclosures are made from aluminum with ABS top and bottom covers and are available in charcoal (D) and white (L).

Typical applications for these products are: theme bars, music restaurants, theme parks, retail outlets, audio visual, boardrooms and offices, exhibition areas and presentation environments, fitness centre. Its excellent sound reproduction capability is attributed the superb to the use of high-quality driver components and crossover network design.

A self-restoring passive element protects the high frequency driver against incidental overload.

A three-way ceramic terminal block with screw connections suitable for loop-through wiring is located in the compartment in the base of the unit.

An easy to install, sturdy wall mounting bracket is standard supplied.

All models are supplied with a built-in 70/100 V transformer with taps on the primary winding for full-power, half-power, quarter-power and one-eighth power radiation. These taps are connected to a rotary vari-tap switch located in the compartment in the base

of the enclosure, to allow simple output power setting. A low ohmic connection is also provided on the vari-tap switch.

## Parts included

Quantity	Components
1	DB1-UMx0E-x
1	Mounting bracket
1	Installation instruction

## Technical specifications

**Electrical\***

Product	DB1-UM20E-(D/L)	DB1-UM50E-(D/L)
Description	Premium-sound Cabinet Loudspeaker	Premium-sound Cabinet Loudspeaker
Maximum power	30 W	75 W
Rated power (PHC)	20 W	50 W
Power tapping	20 / 10 / 5 / 2.5 W	50 / 25 / 12.5 / 6.25 W
Sound pressure level at rated power / 1 W (1 kHz, 1 m)	101 dB / 88 dB (SPL)	108 dB / 91 dB (SPL)
Effective frequency range (-10 dB)	90 Hz to 20 kHz	90 Hz to 20 kHz
Opening angle at 1 kHz / 4 kHz (-6 dB)		
horizontal	174° / 136°	186° / 126°
vertical	127° / 141°	84° / 62°
Rated input voltage	12.65 / 70 / 100 V	20 / 70 / 100 V
Rated impedance	8 / 250 / 500 ohm	8 / 100 / 200 ohm
Connector	3-pole screw block	3-pole screw block

\* Technical performance data acc. to IEC 60268-5

**Mechanical**

Product	DB1-UM20-(D/L)	DB1-UM50-(D/L)
Dimensions (W x D)	274x160x180mm 10.78x6.29x7.08in	405x160x180mm 15.94x6.29x7.08in

**Loudspeaker diameter**

Woofer	134.5 mm (5 in)	134.5 mm (5 in)
Dome tweeter	25.4 mm (1 in)	25.4 mm (1 in)

**Material**

Cabinet	Aluminum	Aluminum
Front grille	Aluminum	Aluminum
Top and bottom	ABS	ABS
Color	White (RAL 9010) (L) or Charcoal (RAL 7021) (D)	White (RAL 9010) (L) or Charcoal (RAL 7021) (D)
Weight	3.88 kg (8.55 lb)	5.58 kg (12.30 lb)

**Environmental**

Operating temperature	-25 °C to +55 °C (-13 °F to +131 °F)
Storage temperature	-40 °C to +70 °C (-40 °F to +158 °F)
Relative humidity	<95%

**Functions****Voice alarm**

Voice alarm loudspeakers are specifically designed for use in buildings, where the performance of Public Address systems is subject to official regulations. The

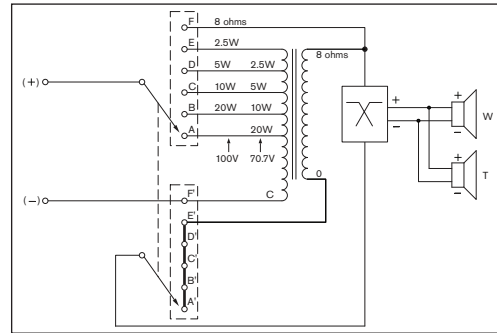
DB1-UMx0E-x are designed for voice alarm systems, and are EN 54-24 certified and compliant with BS 5839-8 and EN 60849.

**Protection**

The loudspeakers have built-in protection to ensure that in the event of a fire damage does not cause failure of the connected circuit. In this way, system integrity is maintained; ensuring loudspeakers in other areas can still be used to inform people of the situation.

**Connections and safety**

The loudspeakers have a ceramic terminal block, thermal fuse, and heat-resistant, high-temperature wiring. The cabinets have a provision for internally mounting the optional line/loudspeaker supervision board.



Circuit diagram

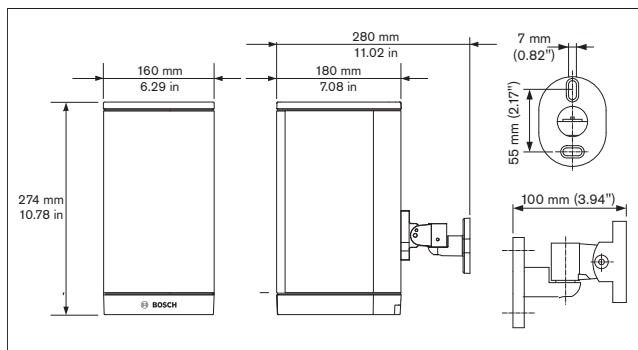
**Installation/configuration notes**

**DB1-UMx0E-D/L**

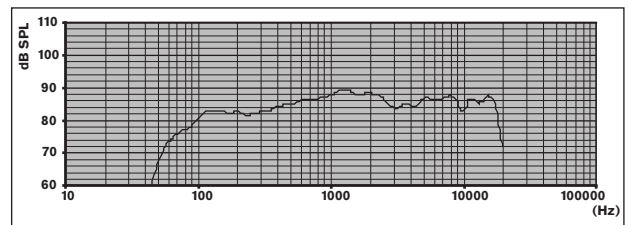


Mounting bracket

**DB1-UM20E-D/L**

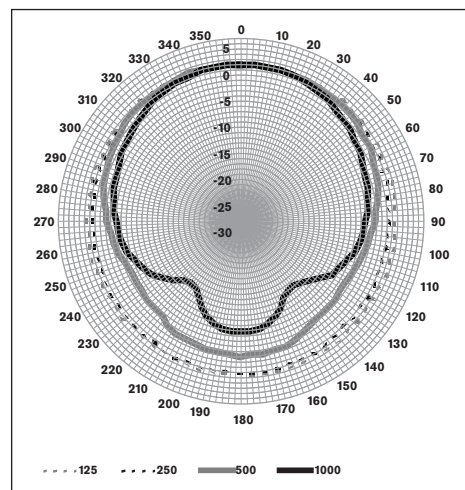


Dimensions

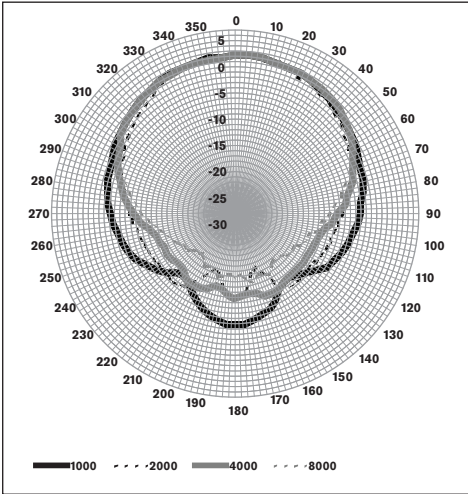


Frequency response

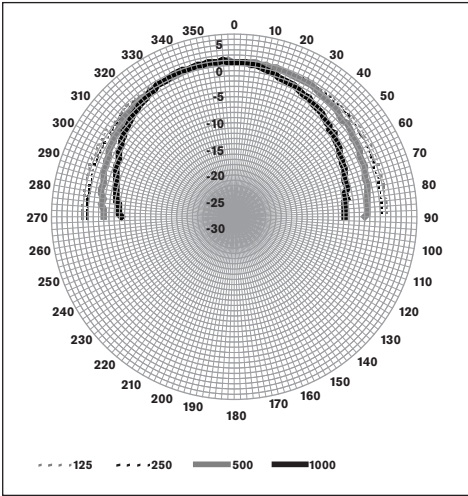
**DB1-UM20E-D/L**



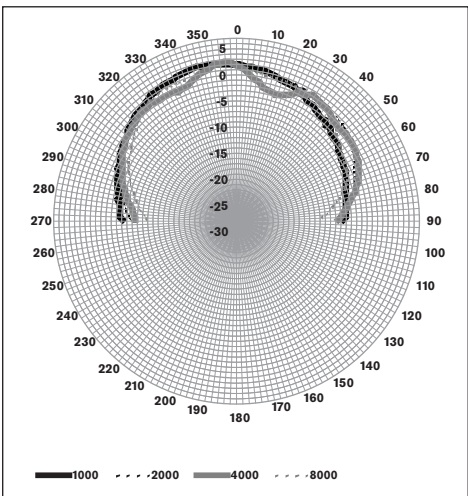
Polar diagram horizontal



Polar diagram horizontal



Polar diagram vertical



Polar diagram vertical

Octave band sensitivity \*

	Octave SPL 1W/1m	Total octave SPL 1W/1m	Total octave SPL Pmax/1m
125 Hz	82.5	-	-
250 Hz	82.5	-	-
500 Hz	85.4	-	-
1000 Hz	88.2	-	-
2000 Hz	88.0	-	-
4000 Hz	85.5	-	-
8000 Hz	86.3	-	-
A-weighted	-	84.1	96.4
Lin-weighted	-	85.0	97.4

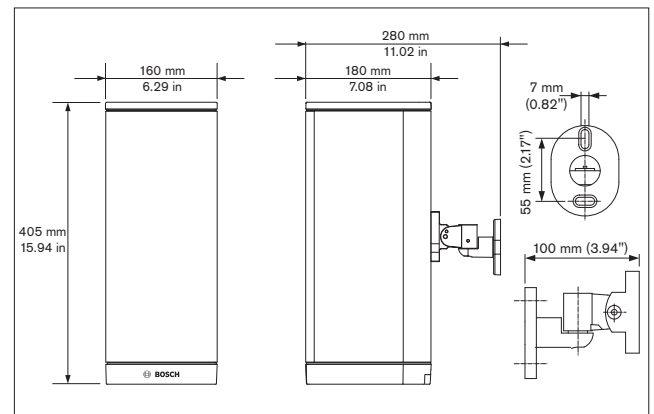
Octave band opening angles

	Horizontal	Vertical
125 Hz	360	360
250 Hz	360	360
500 Hz	206	360
1000 Hz	174	127
2000 Hz	128	141
4000 Hz	136	141
8000 Hz	132	117

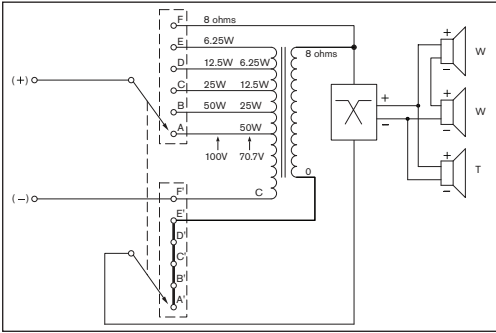
Acoustical performance specified per octave

\* (all measurements are done with a pink noise signal; the values are in dB SPL)

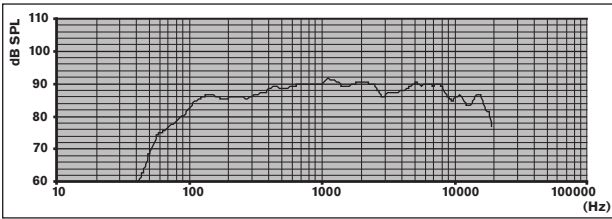
DB1-UM50E-D/L



Dimensions

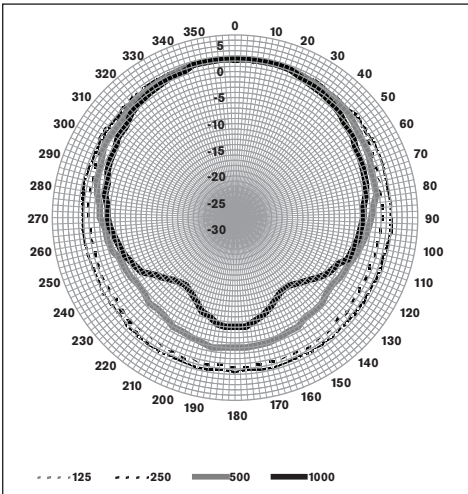


Circuit diagram

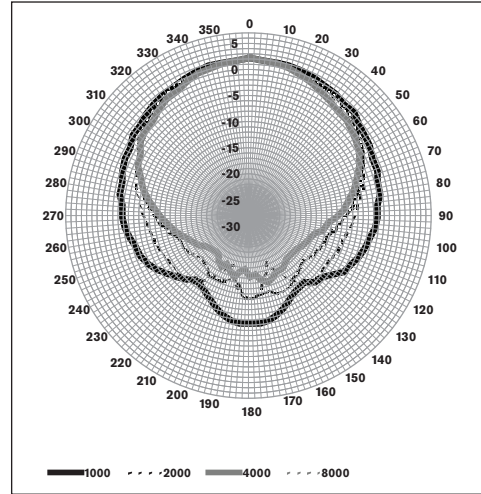


Frequency response

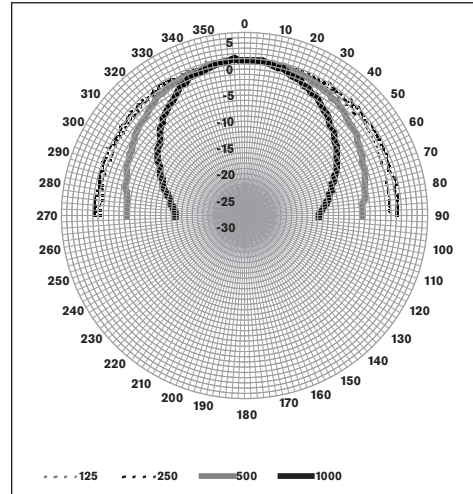
**DB1-UM50E-D/L**



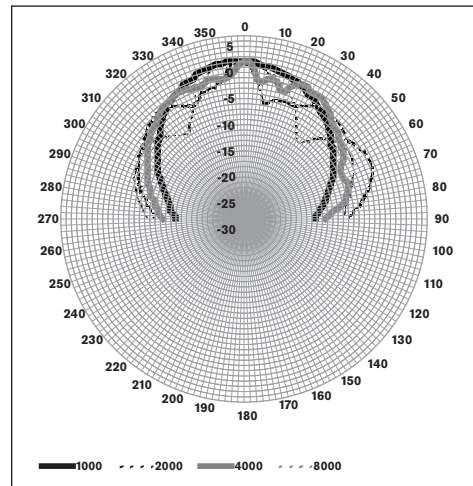
Polar diagram horizontal



Polar diagram horizontal



Polar diagram vertical



Polar diagram vertical

Octave band sensitivity *			
	Octave SPL 1W/1m	Total octave SPL 1W/1m	Total octave SPL Pmax/1m
125 Hz	85.3	-	-
250 Hz	86.1	-	-
500 Hz	89.0	-	-
1000 Hz	90.7	-	-
2000 Hz	90.1	-	-
4000 Hz	88.5	-	-
8000 Hz	89.0	-	-
A-weighted	-	86.7	102.9
Lin-weighted	-	87.6	102.9

Octave band opening angles		
	Horizontal	Vertical
125 Hz	360	> 180
250 Hz	360	> 180
500 Hz	209	142
1000 Hz	186	84
2000 Hz	126	47
4000 Hz	126	62
8000 Hz	119	95


*Acoustical performance specified per octave*

\* (all measurements are done with a pink noise signal; the values are in dBSPL)

## Certifications and approvals

All DYNACORD loudspeakers are designed to withstand operating at their rated power for 100 hours in accordance with IEC 268-5 Power Handling Capacity (PHC) standards. This ensures extra reliability under extreme conditions, leading to greater customer satisfaction, longer operating life, and much less chance of failure or performance deterioration.

Safety	according to EN 60065
Emergency	according to EN 54-24
	according to BS 5839-8 / EN 60849
Water and dust protection	according to EN 60529 IP 65
Self-extinguishing ABS	according to UL 94 V 0
Wind-force	according to NEN 6702:2007 + A1: 2008, Bft11


Bosch Security Systems BV Torenallee 49, 5617 BA Eindhoven, The Netherlands 10 1438 - CPD - 0314
EN 54-24:2008
Loudspeaker for voice alarm systems for fire detection and fire alarm systems for buildings
Cabinet Loudspeakers 20 W and 50 W DB1-UM20E-D/L, DB1-UM50E-D/L Type B

## Ordering information

### DB1-UM20E-D Premium-sound Cabinet Loudspeaker 20 W Charcoal

metal housing, for indoor and outdoor  
Order number **12345**

### DB1-UM20E-L Premium-sound Cabinet Loudspeaker 20 W White

metal housing, for indoor and outdoor  
Order number **12345**

### DB1-UM50E-D Premium-sound Cabinet Loudspeaker 50 W Charcoal

metal housing, for indoor and outdoor  
Order number **12345**

### DB1-UM50E-L Premium-sound Cabinet Loudspeaker 50 W White

metal housing, for indoor and outdoor  
Order number **12345**

Bosch Sicherheitssysteme GmbH  
Robert-Bosch-Ring 5  
85630 Grasbrunn  
Germany

[www.dynacord.com](http://www.dynacord.com)

© Bosch Sicherheitssysteme GmbH, 2013 | Data subject to change without notice  
Document Number | Vs1 | 27. Aug 2013